

Instructions for use

Seed-fruit shredder



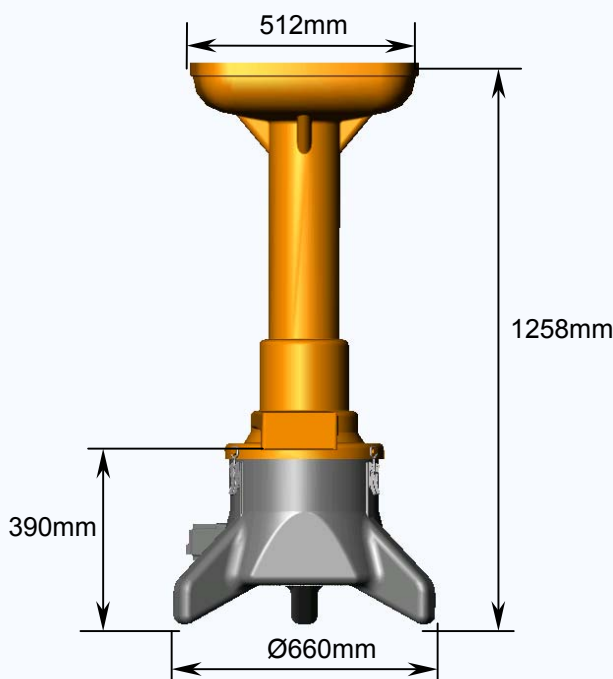
Dear customer,

You have just purchased a new appliance manufactured by us, and we thank you for your confidence. Quality and functionality are the top priority for all our products, and for this reason we are always pleased to receive your suggestions, so that we can live up to our slogan above.

Use:

The seed-fruit shredder is designed to cut seed-fruit finely, so that it is possible to process it immediately and optimally in a fruit press (SPEIDEL-Hydropress) with the best possible juice yield.

To guarantee you reliable service and operation right from the start, we have prepared these instructions for use. If you follow them carefully, your seed-fruit shredder will always operate to your complete satisfaction, and serve you well for many years to come..



Technical details:

Motor	230V / 50 Hz / 2.2 kW Radio and television-suppressed Continuous sound level <70 dB(A)
Speed:	2800 rpm
Filler hopper:	Stable, corrosion-free PE construction with safety-switch
Cutting machinery:	Pre-cutter, knife blade and reversible cutter of rust-free stainless steel
Motor mounting:	Stable, corrosion free PE construction mounting the motor and wiring and protecting from interference by unauthorised persons
ON / OFF:	Switch with no-voltage circuit-breaker and lock-out feature
Connection:	230V / 50 Hz, shockproof plug
Dimensions:	Ø 660 x 1258 mm
Weight:	approx. 25 kg

The seed-fruit shredder is supplied ready for operation. It has been designed and manufactured by us in accordance with CE standards, and is exclusively to be used for shredding seed-fruit.

In order to enjoy its benefits to the full, when working with it please observe the following safety and operating instructions.

Operating instructions:

The seed-fruit shredder can be connected into any (230v.AC / 50 Hz) lighting circuit. However, it is only permitted to use a shockproof socket for which a line fuse of 16 A rating is provided. If the appliance stops on its own while operating, this is caused by a fault such as fruit blocking the cutting machinery. The appliance can be switched on again after removal of the blockage.

Working with the seed-fruit shredder:

Simply plug in the power lead (230V) and switch on. Once the motor has reached its full speed, regular feeding with fruit may be started. Take care only to add fruit in quantities that the cutting machinery can handle. You will achieve problem-free operation in this manner and optimum performance (about 1000 kg /hour).

Cleaning:

1. Disconnect the appliance from the power supply
2. Remove the feed-funnel by loosening the three locking clips
3. Clean the appliance and the hopper with a weak jet of water (**do not use high-pressure cleaning**);
take care not to spray in the housing opening!
4. Reassemble the appliance

Maintenance:

The seed-fruit shredder is virtually maintenance-free. Funnel, cutting blades, housing etc. are all of high-quality rust-free materials. This means that the appliance does not require special treatment of any sort.

The electrics, except for some connecting cables, are limited to compact components and these are protected against unauthorised interference by the casing.

Only the cutting blades will be subjected to wear and tear. When the fruit is no longer being shredded properly, this will be due to wear in the blades. These can be turned without great difficulty, so that two new cutting edges are available. The procedure is as follows::

1. Disconnect the appliance from the power supply
2. Remove the funnel
3. Undo the cutting blade fixing screws with a suitable Phillips screwdriver
4. Reverse the blades
5. Retighten the fixing screws **tightly**
6. Refix the funnel to the appliance

Storage

The seed-fruit shredder must be stored dry, and not in a damp cellar.

Safety precautions:

- The appliance may only be operated with a power cable in perfect condition
- Keep the power cable away from sharp instruments
- Young persons under 16 years of age may not operate the appliance
As a general rule, keep children away from the appliance
- In the working area, the operator is responsible for the safety of third parties
- The appliance may only be switched on when the filler hopper is properly mounted on the base
- Safety devices may neither be operated by hand nor removed
- The appliance may not be operated without filler hopper
- The seed-fruit shredder must be safely placed on a firm, level surface
- Before removing the filler hopper, first switch off the appliance and disconnect from the power supply
- **Warning:** do not spray water into the ventilation slots in the motor housing
- **Caution:** when the hopper is removed, there is risk of injury being caused by the blades even when the motor is stationary
- **Never** reach into the filler opening. **Never** introduce foreign objects into the appliance
- Start the appliance before filling it, and only switch off after complete processing of the load, otherwise difficulties may be experienced when re-starting
- When moving the seed-fruit shredder, the appliance must be disconnected from the power supply
- The fixing clamps must remain so adjusted as to guarantee a firm seating for the filler hopper
- The appliance may only be switched on after connecting to the power supply in accordance with regulations and with the filler hopper in place
- The seed-fruit shredder is simple to move on extra-reinforced feet - see illustration



Declaration of conformity:

We, Messrs. SPEIDEL Tank- und Behälterbau GmbH, Tübinger Str. 14, 72131 Offerdingen, hereby declare on our own responsibility that the product seed-fruit shredding mill, article number 22200 to which this declaration refers, is designed and constructed in accordance with the relevant standards.

According to the general criteria for declarations of conformity from suppliers DIN EN 45014-5/90 the appliance complies with the European safety requirements.

Legally-authorized signatory:

*Georg Speidel – General Manager
Speidel Tank- und Behälterbau GmbH
Tübinger Str. 14 – 72131 Offerdingen*